

General Construction

Helical Gear Output Section

Figure 5.7 Helical Gear Output Section

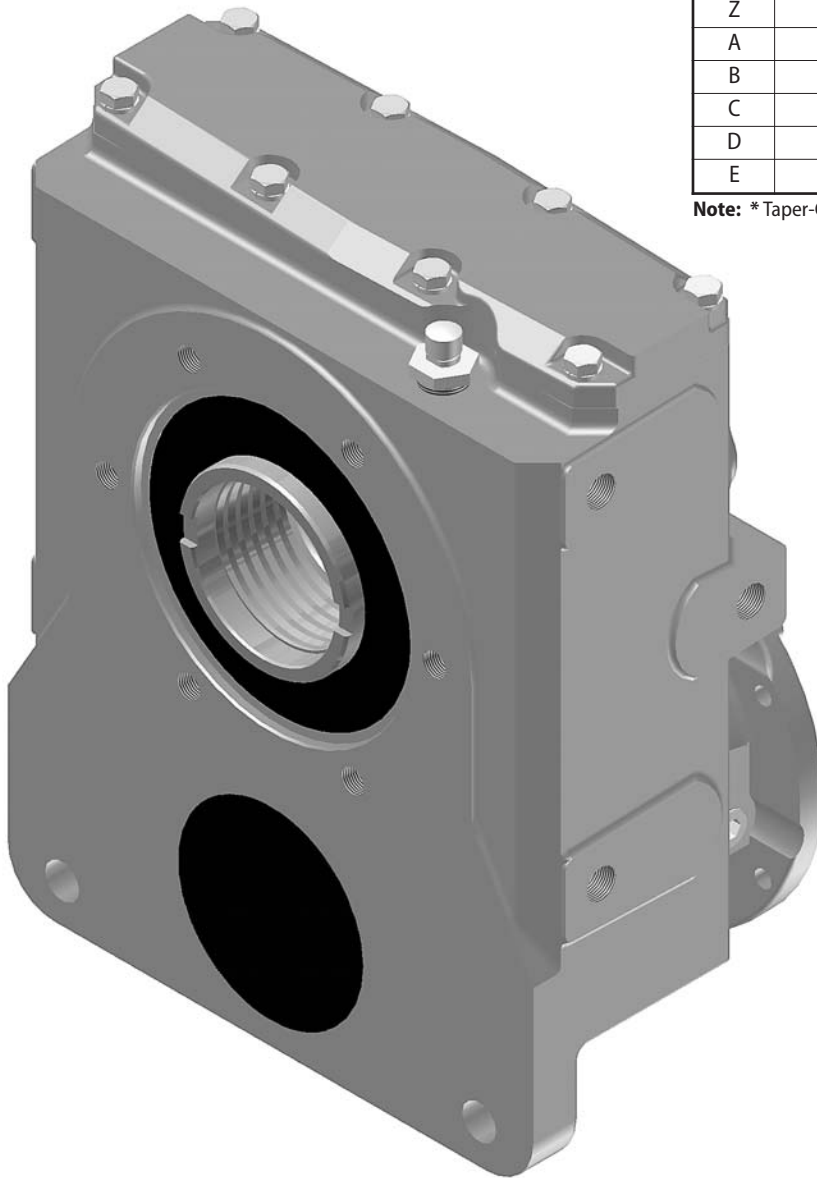


Table 5.13 Helical Gear Output Assembly Part Numbers

Unit Size	Output Assembly Part Number*
Z	037L0004
A	037A0004
B	037B0004
C	037C0004
D	037D0004
E	037E0004

Note: *Taper-Grip® Bushing not included.